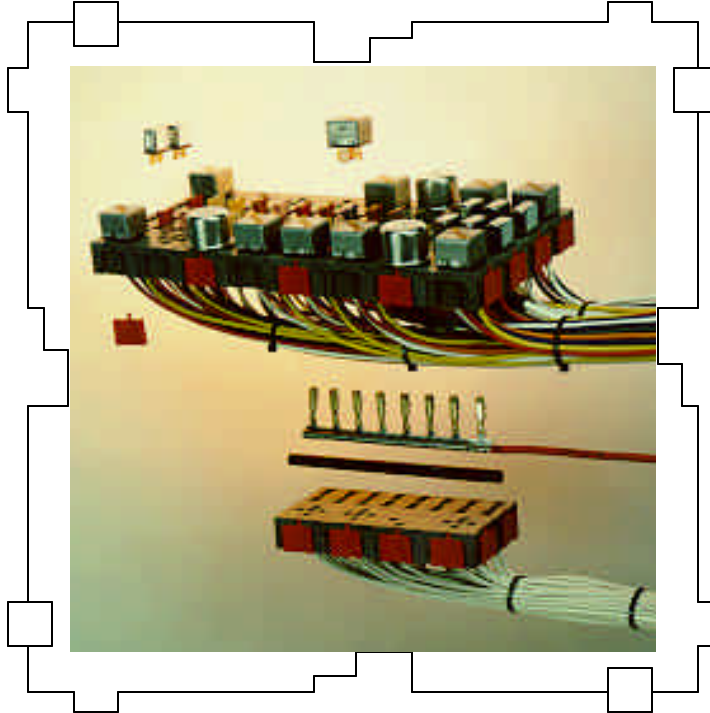


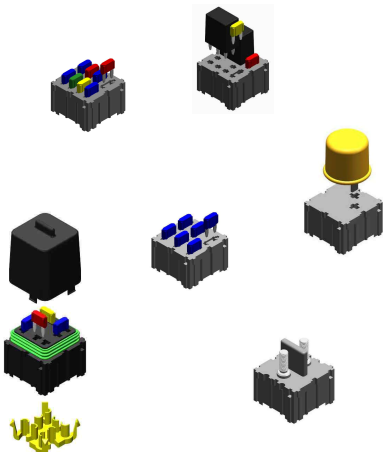
DILL BLOX[®]

MODULAR POWER DISTRIBUTION SYSTEMS



PROVIDING
SOLUTIONS FOR: POWER DISTRIBUTION
CIRCUIT PROTECTION
TERMINAL PROTECTION

DESIGNED FOR: FUSES
CIRCUIT BREAKERS
RELAYS
FLASHERS
LIGHTS
POWER TAPS
DIODES
CUSTOM COMPONENTS...



Fargo Assembly of PA., Inc.

800 West Washington St. P.O. Box 550

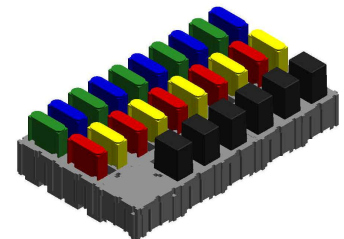
Norristown, PA 19404-0550

Phone # (610) 272-6850

Fax # (610) 272-6858

E-mail: sales@fargopa.com

Visit us at: www.dillblox.com



ALL OF OUR PRODUCTS ARE PROUDLY
MADE IN
THE UNITED STATES OF AMERICA

DISCLAIMER

The information and illustrations contained herein are believed to be reliable and accurate. Fargo Assembly of Pa., Inc. (Fargo) makes no warranties as to their accuracy or completeness, and disclaims any liability in connection with their use. Fargo's only obligations are those in the standard terms of sale for these products, and Fargo will not be liable for any consequential or other damages arising out of the use or misuse of these products. Fargo reserves the right to make changes to the contents hereof without notice. It is suggested that at the time of inquiry, Fargo sales personnel be contacted directly for verification of published specifications and product availability. Users should make their own evaluation to determine the suitability of these products for specific applications.

CONTENTS

<u>TOPIC</u>	<u>PAGE</u>
COMPANY OVERVIEW.....	4
PRODUCT DESCRIPTION.....	5
FEATURES.....	5
ASSEMBLY GUIDELINES.....	5
COMPONENT IDENTIFICATION.....	5
TYPICAL APPLICATION.....	6
SPECIFICATIONS.....	7
ATO FUSE MODULES.....	8
MINI FUSE MODULES.....	9
MAXI FUSE MODULES.....	10
RELAY & FLASHER MODULES.....	11 - 12
SPECIALTY MODULES.....	13 - 14
STUD MODULES.....	15
DIODE MODULES.....	16
MOUNTING MODULES.....	17
LOCKING WEDGE & SECONDARY LOCKS.....	18 - 19
BULKHEAD CONNECTORS.....	20 - 25
TERMINAL & BUS BAR CODES.....	26 - 29
INDEX.....	30

Fargo Assembly of PA., Inc.

MISSION STATEMENT

Fargo, through continuous improvement strategies, utilizing employee involvement and the team approach with our customers, will insure high quality, excellent service, and product innovation, resulting in total customer satisfaction.

WIRE HARNESS FABRICATION

- Over thirty years of experience in supplying the heavy duty truck, farm equipment, construction, and specialty vehicle industries.
- Five strategically located manufacturing facilities.
- Consistent record of high quality.
- Consistent record of on-time delivery.

ENGINEERING SUPPORT SERVICES

Experienced staff able to assist in system design.

Services include: System Review

Load Center & Connector design

Wiring Systems Design

Prototyping

COMPONENT DESIGN AND MANUFACTURING

Custom Component Design and Manufacturing.

Specialized Connectors and Terminals Available.

Dill Blox Modular Power Distribution Systems.

PRODUCT DESCRIPTION

The Dill Blox system is a modular connector system consisting of a variety of Dill Blox modules. The "Dill Edge" is featured on all four sides of each individual Dill Blox module. With the "Dill Edge", unlimited combinations of Dill Blox modules can be easily assembled into a complete power distribution panel, without expensive tooling charges.

The standard dimensions of a single Dill Blox module are 1.5" L x 1.5" W x 1.0" H. Dill Blox modules are molded with glass reinforced nylon for high temperature and dimensional stability. Their unique interlocking design gives them excellent rigidity. Each component / terminal connection point, where possible, has been reinforced with a secondary locking feature to assure terminal retention and circuit integrity.

All of the Dill Blox modules and accessories shown in this catalogue are standard products. Upon request, Fargo will design and manufacture custom Dill Blox modules. Fargo will also assemble and screen print panels to meet your specific requirements.

FEATURES

- * Modular System featuring the Dill Edge on all modules
- * High temperature plastics for extreme durability
- * Exclusive Dill Blox secondary locks for terminals
- * Matched thermal expansions for all structural items
- * All Dill Blox panels are field serviceable
- * Enhanced performance fuse terminal
- * Factory assembled panels can be custom printed

PANEL ASSEMBLY GUIDELINES

Dill Blox modules can be assembled without special tools. The panel is assembled from the rear. Place all modules face down on a flat surface. Organize modules into rows and insert the locking wedges as needed. Then push the rows together and insert the locking wedges between the rows to form panels.

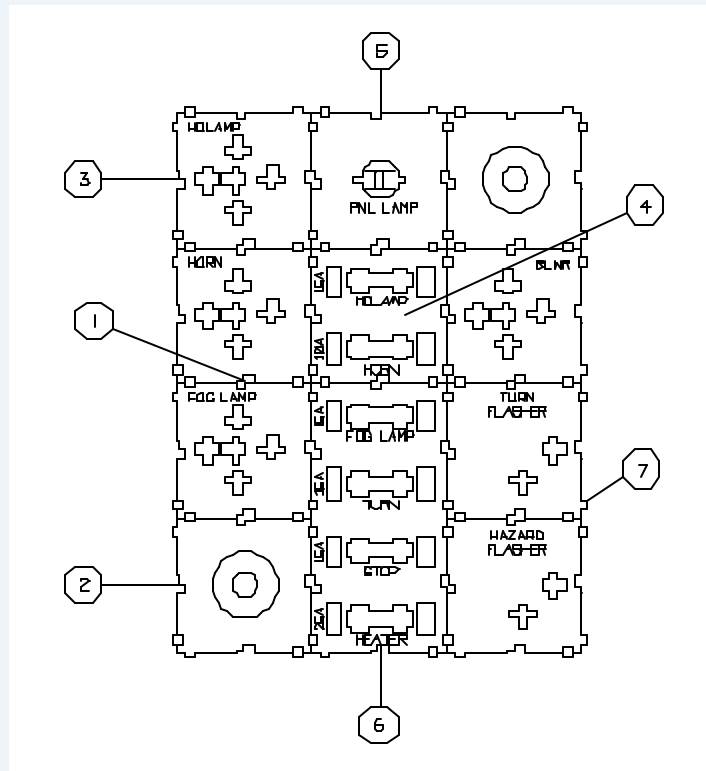
The locking wedge may be inserted by hand. To assure that the locking wedge is fully seated, place a block (1" X 2" X 3/16") on the rear of the wedge and tap the block with a light hammer. The locking wedge is fully seated when the rear of the wedge is flush with the rear surface of the Dill Blox module. (Note: Before seating the wedges, visually inspect the front face of the panel for proper orientation of the Dill Blox modules).

When wiring the panel it is recommended that the bus bars be inserted first followed by the remaining terminals. Be sure to use the proper secondary lock with each terminal. Secondary locks assure proper terminal placement and guard against terminal push backs.

COMPONENT IDENTIFICATION

Any Dill Blox module or power distribution panel can be screen printed with custom information. Fargo can provide assistance in this area as well as generate the required artwork. We recommend that entire power distribution panels be printed as an assembly rather than printing the modules individually. An example of a panel with printed component identification can be seen on the next page.

TYPICAL PANEL ASSEMBLY



ITEM #	PART NUMBER	DESCRIPTION	QTY
1	59011	LOCKING WEDGE	16
2	59021	CORNER MOUNTING MODULE	2
3	59022	RELAY MODULE	4
4	59105	2 FUSE MODULE	1
5	59058	LAMP MODLUE	1
6	59112	4 FUSE MODULE	1
7	59027	FLASHER MODULE	2

PERFORMANCE SPECIFICATIONS

MECHANICAL:

BASIC UNIT SIZE	1.5" X 1.5" X 1.0"
MATERIAL	13% GLASS REINFORCED, HEAT STABILIZED NYLON 6/6
DURABILITY	50 CYCLES OF ENGAGEMENT AND DISENGAGEMENT WITHOUT MECHANICAL OR ELECTRICAL FAILURE.

MISMATING EFFECTIVELY KEYED AGAINST MISMATING TO 100 LBS.

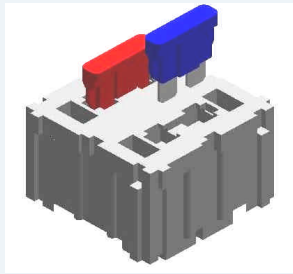
DROP 4 FEET ONTO WOODEN PLATFORM.

ENVIRONMENTAL (ALL SYSTEMS):

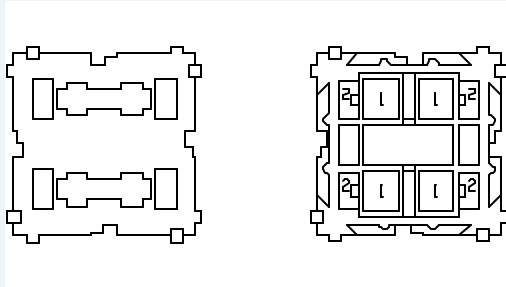
TEMPERATURE RANGE	-40 TO 125 DEGREES CELSIUS.
THERMAL SHOCK	5 CYCLES FROM -40 TO 125 DEGREES CELSIUS.
MECHANICAL SHOCK	4 FEET ONTO WOODEN PLATFORM.
FLUID COMPATIBILITY	GASOLINE, DIESEL FUEL, MOTOR OIL, ANTIFREEZE, BRAKE FLUID, & ATF.

ATO FUSE MODULES

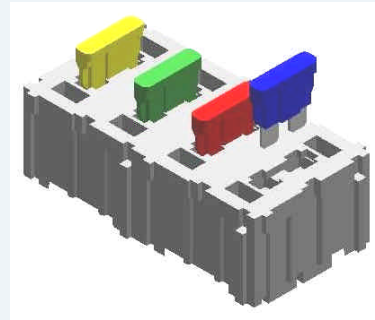
#59105 2 ATO FUSE / CIRCUIT BREAKER MODULE



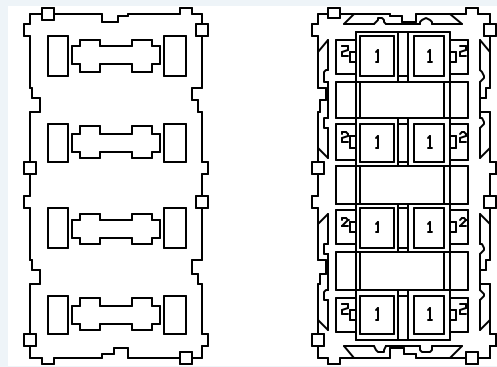
- 1 - TERMINAL CODES 162, or 197
- 2 - SECONDARY LOCKS: 59099, 59115, or 59158



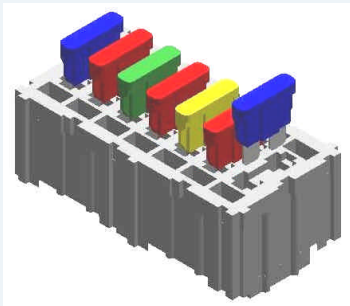
#59112 4 ATO FUSE / CIRCUIT BREAKER MODULE



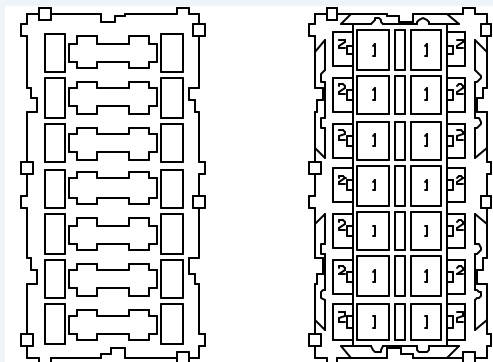
- 1 - TERMINAL CODES 162, or 197
- 2 - SECONDARY LOCKS: 59099, 59115, or 59158, 59100



#59216 7 ATO FUSE / CIRCUIT BREAKER MODULE



- 1 - TERMINAL CODES 162, or 284
- 2 - SECONDARY LOCKS: 59099, or 59158



- 59099 DB-LKAF1**
1 POS. SECONDARY LOCK 14-20

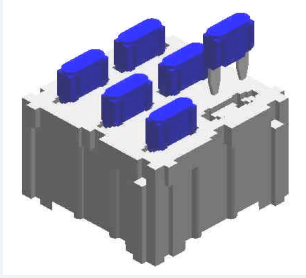
- 59115 DB-LKAF2**
2 POS. SECONDARY LOCK 14-20

- 59158 DB-LKAF1A**
1 POS. SECONDARY LOCK 10-12 & DOUBLES

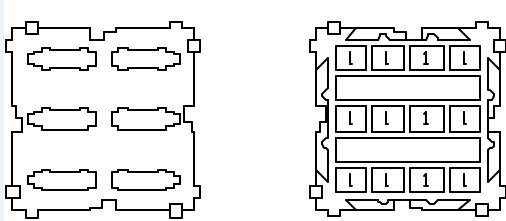
- 59100 DB-LKAF4**
4 POS. SECONDARY LOCK 14-20

MINI FUSE MODULES

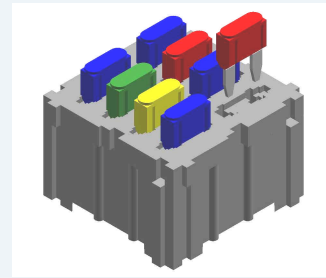
#59231 6 MINI FUSE / CIRCUIT BREAKER MODULE



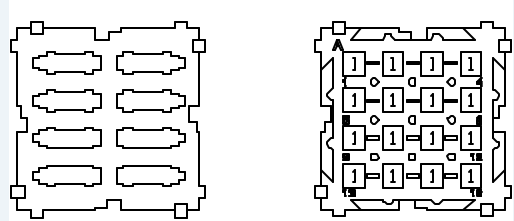
1 - TERMINAL CODE: 220



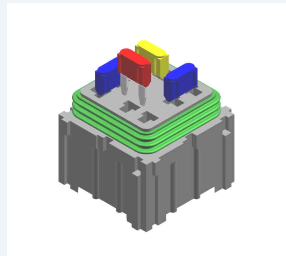
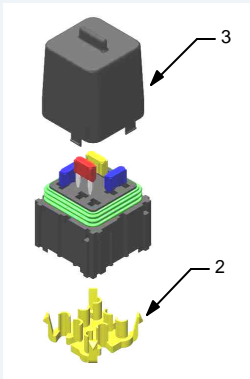
#59224 8 MINI FUSE / CIRCUIT BREAKER MODULE



1 - TERMINAL CODE: 220



#100761 SEALED 4 MINI FUSE MODULE

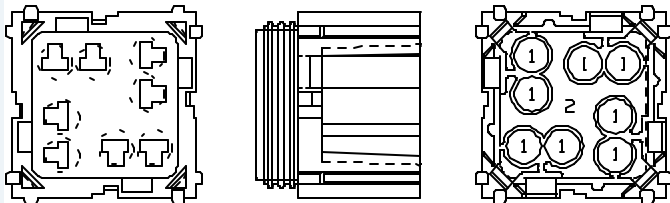


- 1 - TERMINAL CODE: 175 TERMINAL, SEAL REQUIRED.
- 2 - SECONDARY LOCK: #59222
- 3 - COVER: 59223

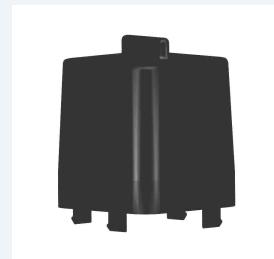
FRONT

SIDE

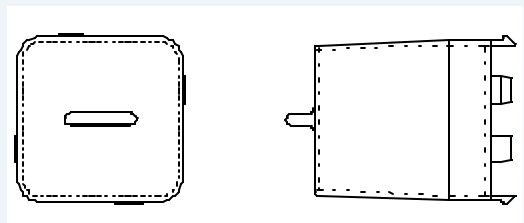
BACK



#59223 HOUSING COVER

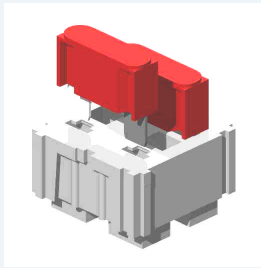


THIS COVER IS USED WITH #100761

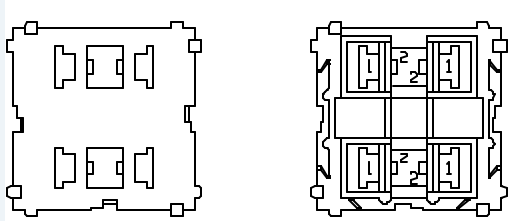


MAXI FUSE MODULES

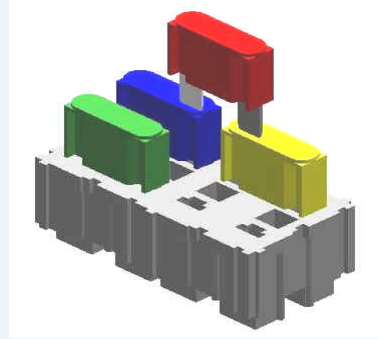
#59236 2 MAXI FUSE / CIRCUIT BREAKER MODULE



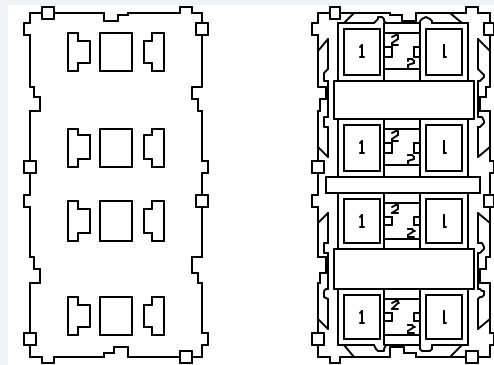
- 1 - TERMINAL CODE: 274
- 2 - SECONDARY LOCK: 59174



#59217 4 MAXI FUSE / CIRCUIT BREAKER MODULE

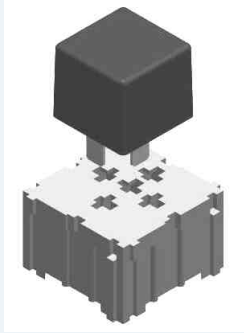


- 1 - TERMINAL CODE: 274
- 2 - SECONDARY LOCK: 59174

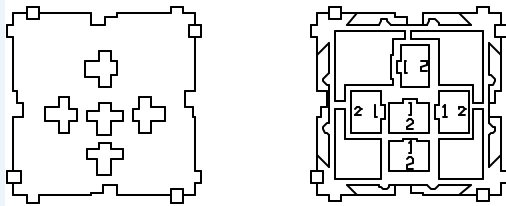


RELAY & FLASHER MODULES

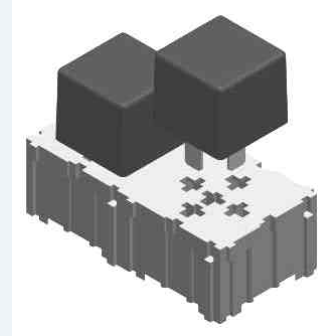
#59022 SINGLE ISO RELAY MODULE



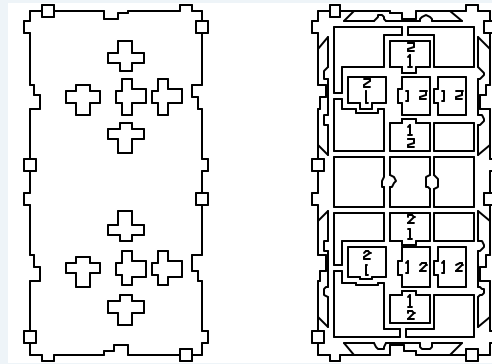
- 1 - TERMINAL CODE: 062
- 2 - SECONDARY LOCK: 59056



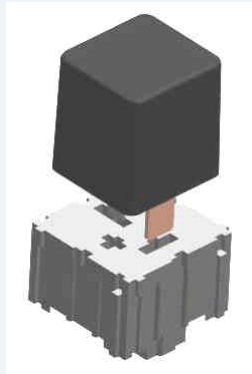
#59188 DOUBLE ISO RELAY MODULE



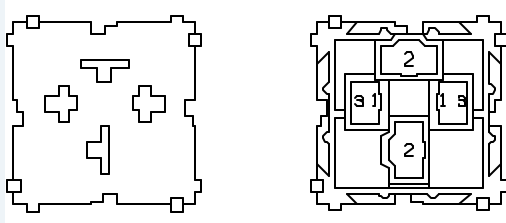
- 1 - TERMINAL CODE: 062
- 2 - SECONDARY LOCK: 59056



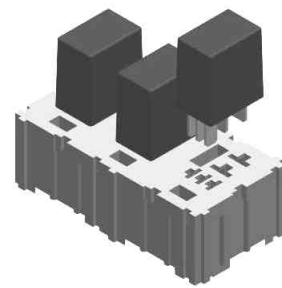
#59184 POWER RELAY MODULE



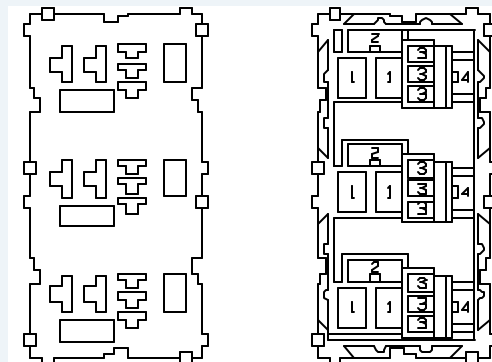
- 1 - TERMINAL CODE: 062 (COIL)
- 2 - TERMINAL CODE: 254 (CONTACTS)
- 3 - SECONDARY LOCK: 59056 (COIL)



#59189 3 ISO MICRO RELAY MODULE

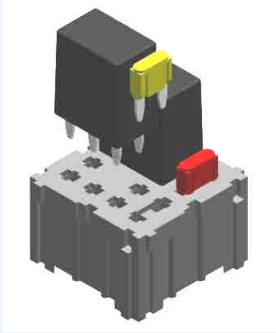


- 1 - TERMINAL CODE: 062 (NO & COMMON CONTACTS)
- 2 - SECONDARY LOCK: 59175 FOR TERMINAL 062
- 3 - TERMINAL CODE: 260 (COIL & NC CONTACTS)
- 4 - SECONDARY LOCK: 59176 FOR TERMINAL 260

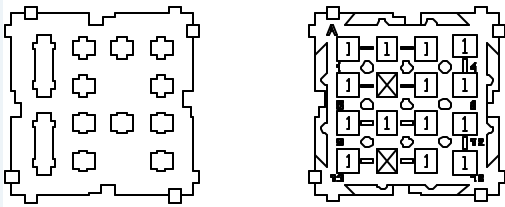


RELAY & FLASHER MODULES

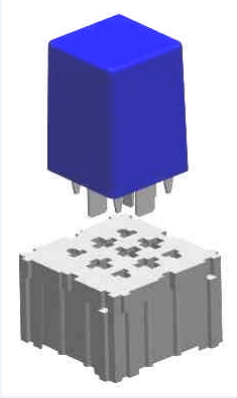
#59225 2 - MINI FUSE ~ 2 - 280 MICRO RELAY MODULE



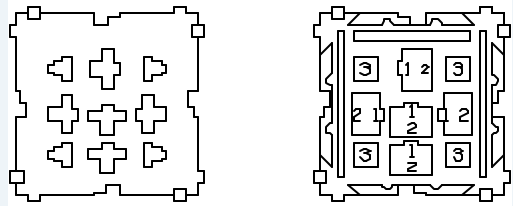
1 - TERMINAL CODE: 220



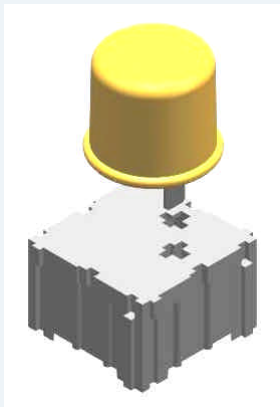
#59226 9 PIN ISO MODULE



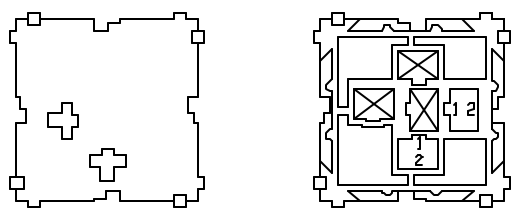
- 1 - TERMINAL CODE: 062
- 2 - SECONDARY LOCK: 59056
- 3 - TERMINAL CODE: 057



#59027 FLASHER MODULE

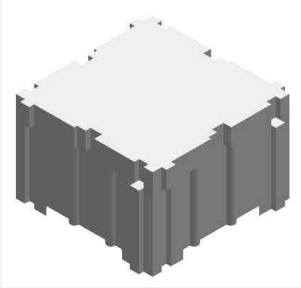


- 1 - TERMINAL CODE: 062
- 2 - SECONDARY LOCK: 59056

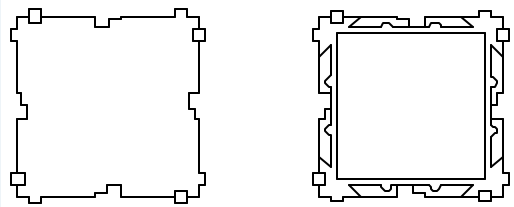


SPECIALTY MODULES

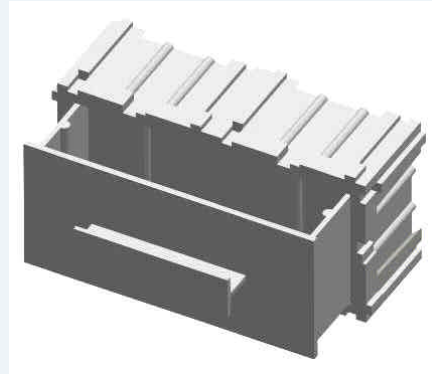
#59215 BLANK SINGLE MODULE



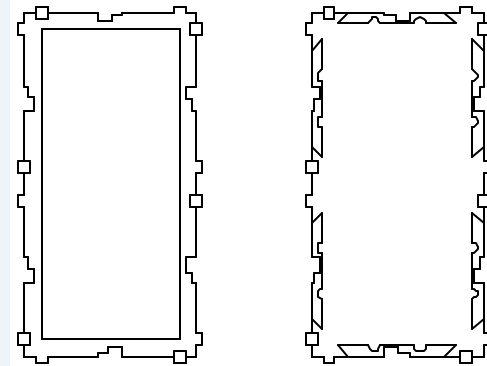
THIS MODULE IS USED TO FILL UNUSED AREAS OF PANELS



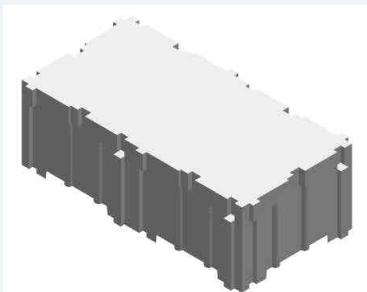
#59026 STORAGE MODULE & DRAWER #59025



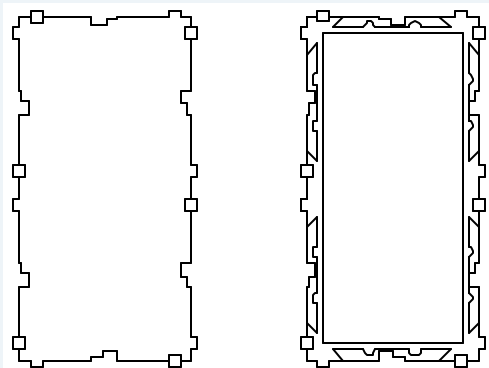
STORAGE DRAWER # 59025 SOLD SEPERATELY



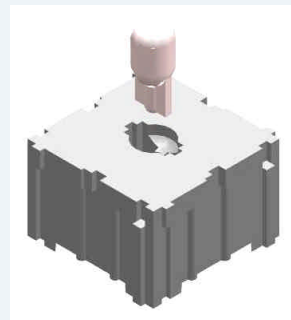
#59220 BLANK DOUBLE MODULE



THIS MODULE IS USED TO FILL UNUSED AREAS OF PANELS

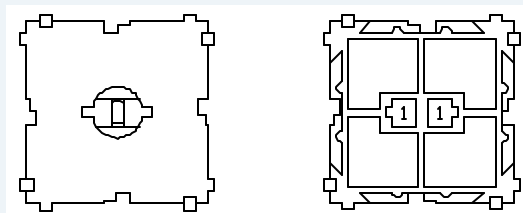


#59058 LAMP MODULE



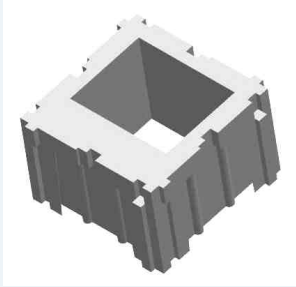
ACCEPTS SAE W-2 WEDGE BASE LAMPS ONLY. TRADE #'s 161, 168, & 194

1. TERMINAL CODE: 157

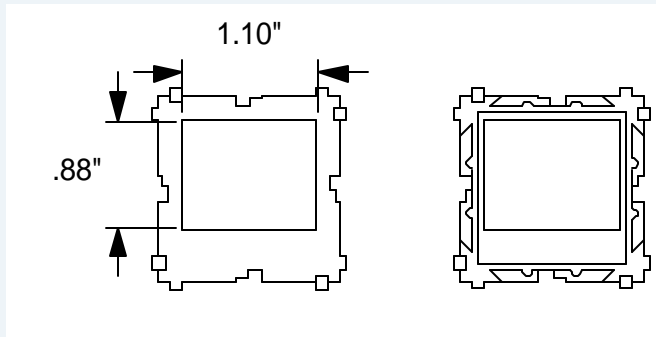


SPECIALTY MODULES

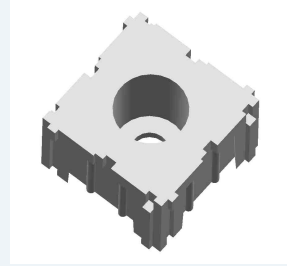
#59187 SWITCH MODULE



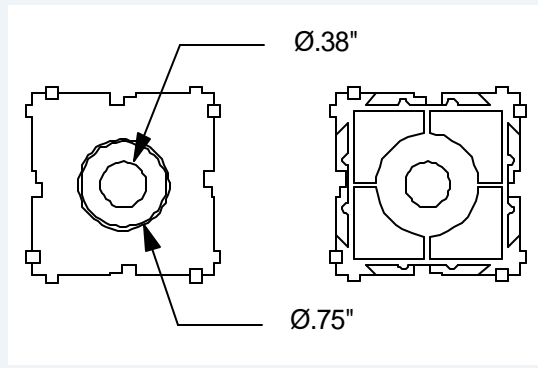
CUT-OUT DIMENSIONS — 1.10" WIDE X 0.88" DEEP
 FITS "OSLO" BRAND SWITCHES, SEE SALES FOR
 MORE INFORMATION.



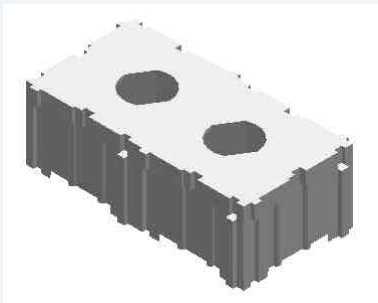
#59203 POTENTIOMETER MODULE



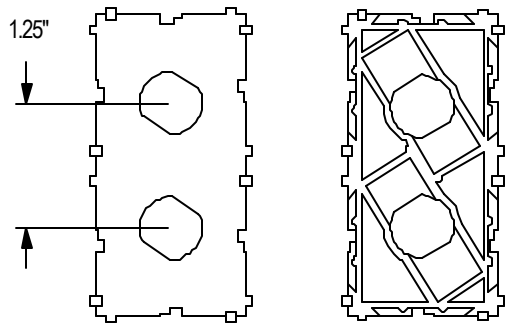
FOR USE WITH "CLAROSTAT" ROTARY
 POTENTIOMETER.



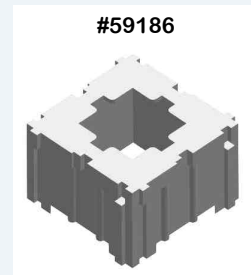
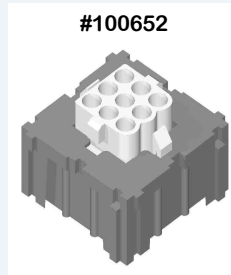
#59057 2x CIRCUIT BREAKER MODULE



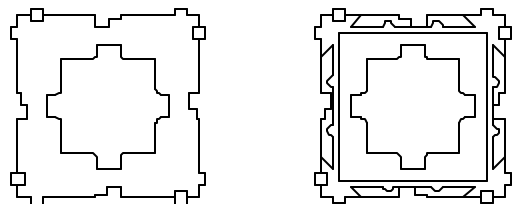
FOR USE WITH "MECHANICAL PRODUCTS"
 PUSH BUTTON CIRCUIT BREAKER



#100652 9 POSITION UNIVERSAL SOCKET ASSEMBLY

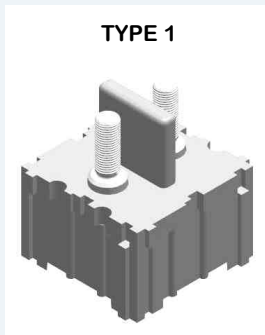


THE CONNECTOR USES TERMINAL CODE 110.
 THE CONNECTOR MATES TO TYCO #1-480673-0.
 THE MATING CONNECTOR USES TERMINAL
 CODE 111.

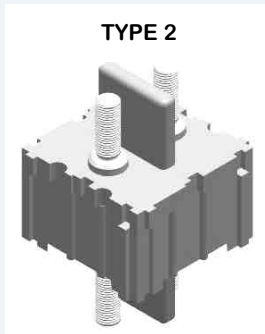


STUD MODULES

STUD MODULE ASSEMBLIES

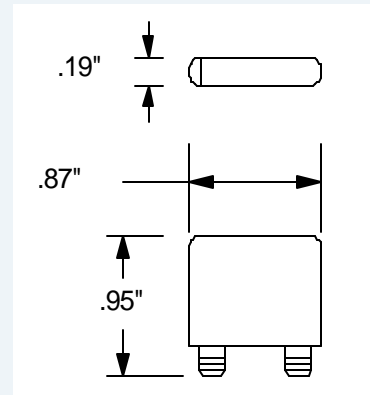
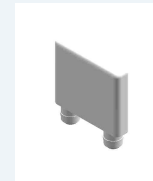


TYPE 1



TYPE 2

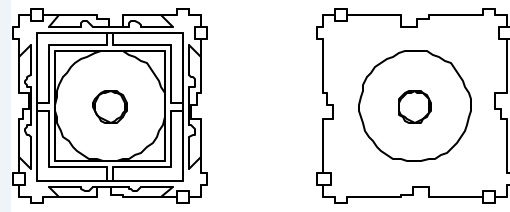
#59206 ISOLATION BARRIER



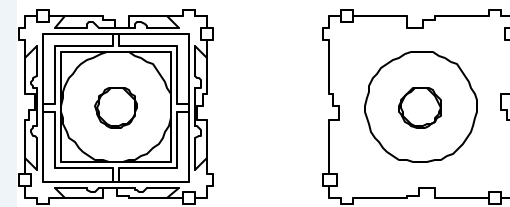
NOTE: THIS PART IS USED TO ISOLATE STUDS BETWEEN MODULE ASSEMBLIES.

POWER TAP MODULES

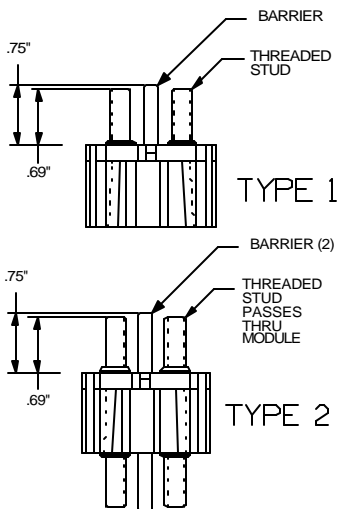
100718



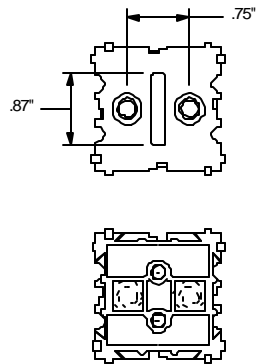
100719



STUD MODULE TYPES



STUD & BARRIER DIMENSIONS



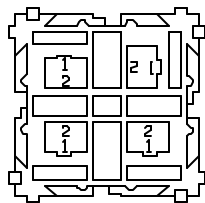
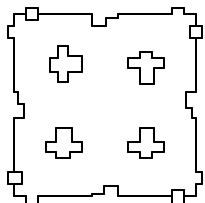
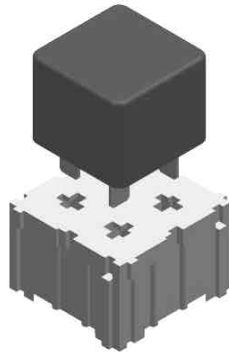
PART NUMBER	THREAD	TYPE	BARRIER
100708	10-32	1	YES
100712	10-32	2	YES
100716	10-24	1	YES
100721	10-32	2	NO

PART NUMBER	THREAD
100718	1/4-20
100719	5/16-18

DIODE MODULES AND ASSEMBLIES

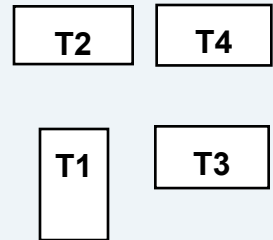
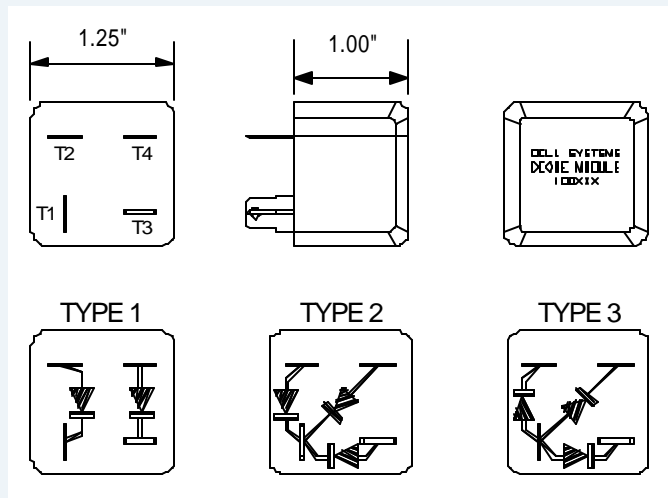
DIODE MODULES

#59196 DIODE MODULE



- 1 - TERMINAL CODE: 062
- 2 - SECONDARY LOCK: 59056

DIODE ASSEMBLIES



PART NUMBER	TYPE	RATING
100685	1	1 AMP, 1000 VOLT
100686	1	3 AMP, 1000 VOLT
100687	2	6 AMP, 1000 VOLT
100690	1	6 AMP, 1000 VOLT
100691	2	1 AMP, 1000 VOLT
100692	2	3 AMP, 1000 VOLT
100693	3	1 AMP, 1000 VOLT
100694	3	3 AMP, 1000 VOLT
100695	3	6 AMP, 1000 VOLT

MOUNTING MODULES

#59021 MOUNTING MODULE

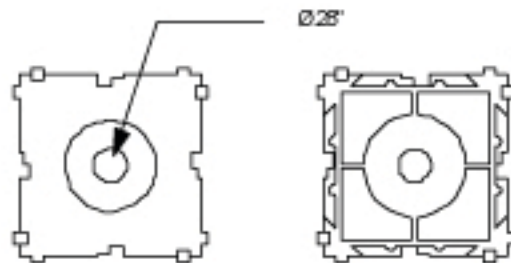


DILL BLOX MOUNTING MODULE RECOMMENDED MOUNTING PROCEDURE

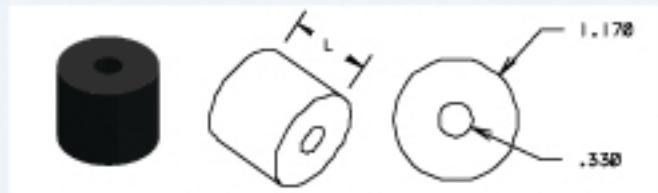
It is recommended that the DILL BLOX mounting module part #59021, be mounted on a flat surface that has sufficient area and strength to completely support the round flange at the base of the module. Mount module with a .25" or 6 mm prevailing torque fastener.

- 1) Place a flat washer inside the recess of the mounting module.
- 2) Insert a fastener through the washer and the module.
- 3) Tighten the fastener to 70 (+/- 5) inch pounds of torque.

In cases where multiple mounting modules are used, follow a staggered tightening pattern on all mounting modules until the recommended torque is achieved on all fasteners.

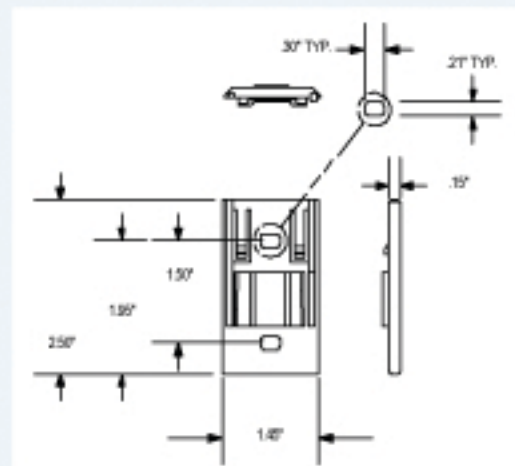


MOUNTING STANDOFF



PART NUMBER	HEIGHT "L"
74096	1.00"
74042	1.25"
74049	2.00"
74073	2.50"

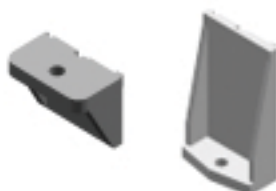
#59205 SIDE BRACKET MODULE



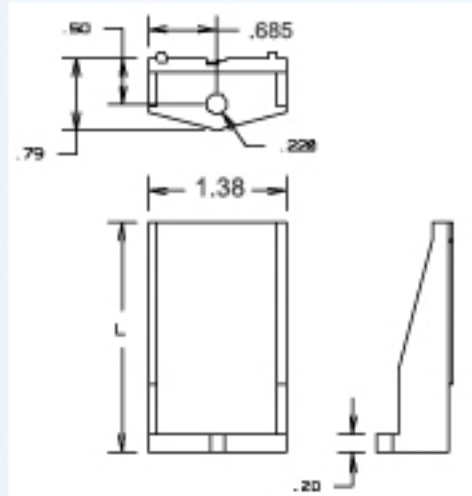
MOUNTING LEG MODULES

#59214

#59113
#59114
#59239

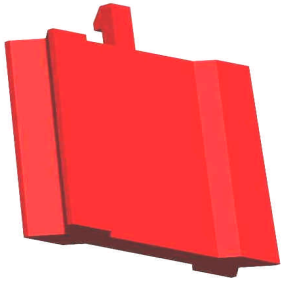


PART NUMBER	HEIGHT "L"	RESULT
59214	1.0"	FLUSH MOUNT
59239	2.0"	RAISED 1.0"
59113	2.5"	RAISED 1.5"
59114	3.0"	RAISED 2.0"



THE LOCKING WEDGE & SECONDARY LOCKS

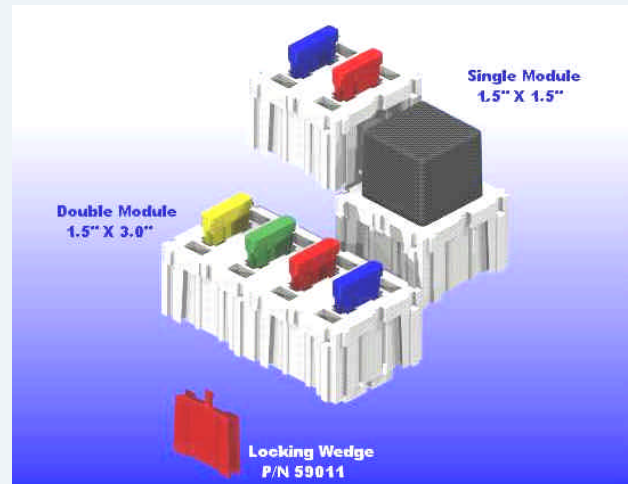
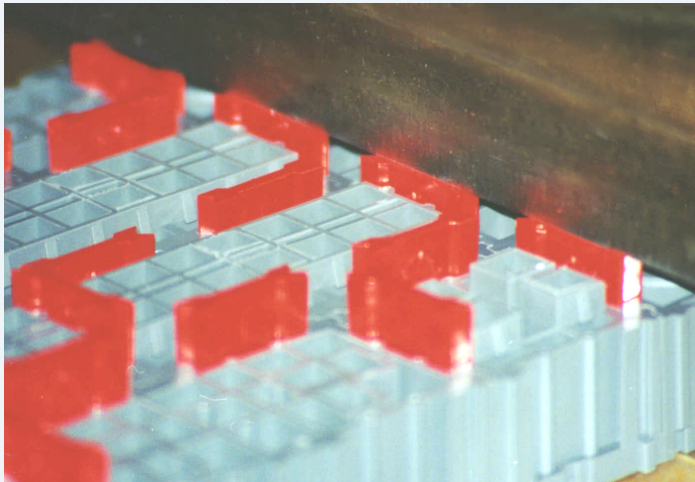
#59011 THE LOCKING WEDGE



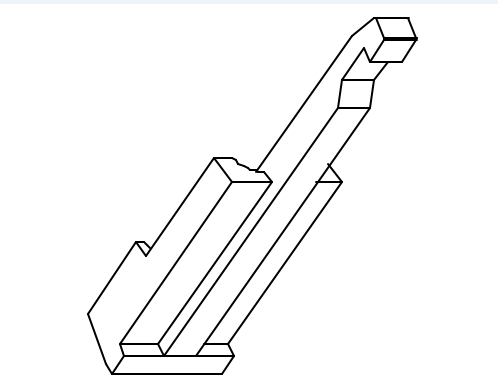
Dill Blox modules can be assembled without special tools. The panel is assembled from the rear. Place all modules face down on a flat surface. Organize modules into rows and insert the locking wedges as needed. Then push the rows together and insert the locking wedges between the rows to form panels.

The locking wedge may be inserted by hand. To assure that the locking wedge is fully seated, place a block (1" X 2" X 3/16") on the rear of the wedge and tap the block with a light hammer. The locking wedge is fully seated when the rear of the wedge is flush with the rear surface of the Dill Blox module. (Note: Before seating the wedges, visually inspect the front face of the panel for proper orientation of the Dill Blox modules).

Part #59160 is the "Bolt Wedge" used with the 28 Position Bulkhead Connector series. (see page 20). The Bolt Wedge accepts a M5x20 mm machine screw.

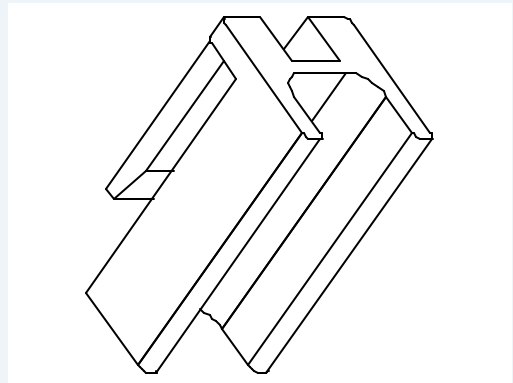


#59056 SECONDARY LOCK



FOR USE WITH TERMINAL CODE 062

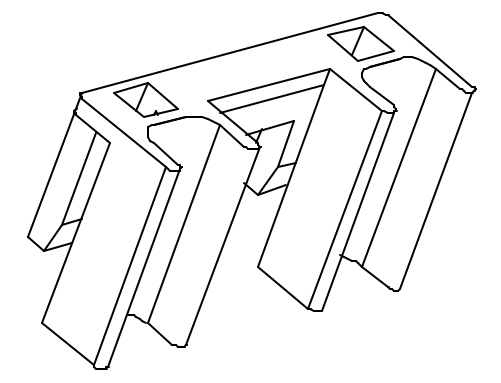
SECONDARY LOCK #59099



FOR USE WITH TERMINAL CODE 162

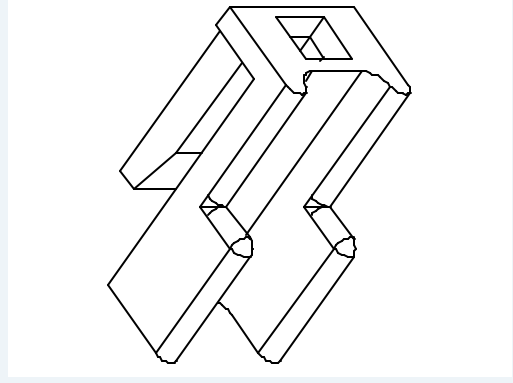
SECONDARY LOCKS

SECONDARY LOCK #59115



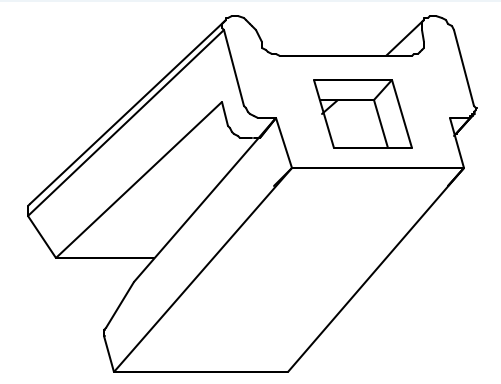
FOR USE WITH TERMINAL CODE 162

SECONDARY LOCK #59158



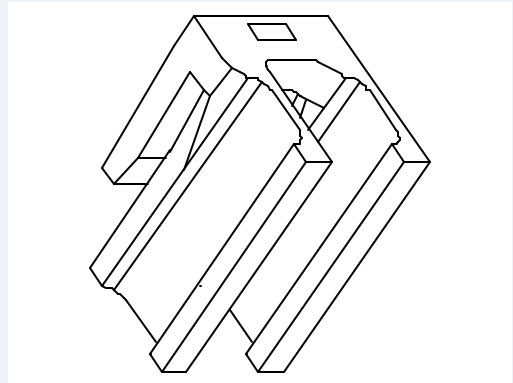
FOR USE WITH TERMINAL CODE 162
HEAVY GAUGE WIRE & DOUBLES

SECONDARY LOCK #59174



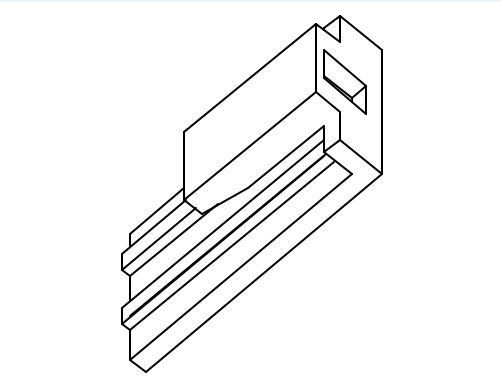
FOR USE WITH TERMINAL CODE 274

SECONDARY LOCK #59175



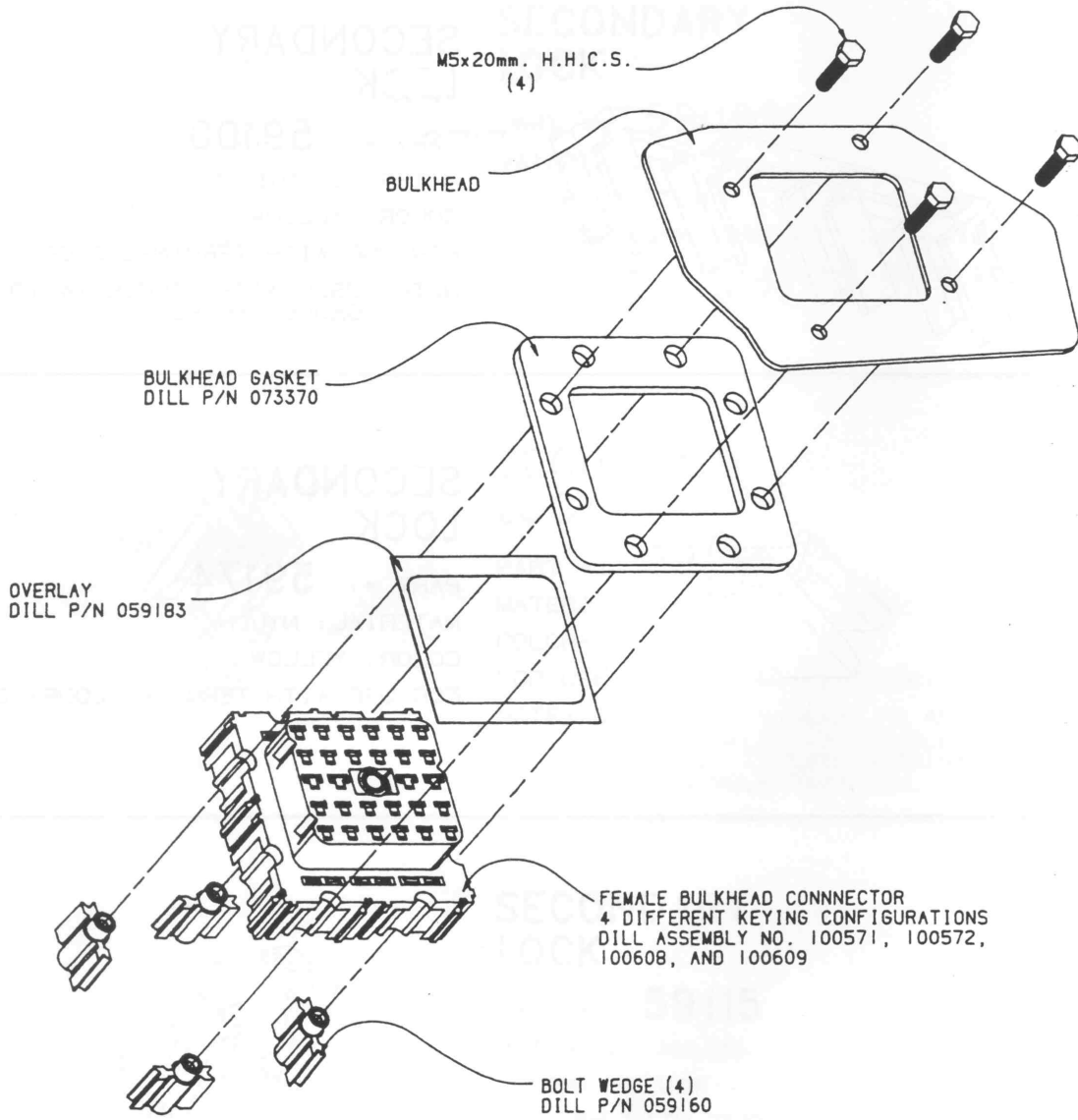
FOR USE WITH TERMINAL CODE 062

SECONDARY LOCK #59176

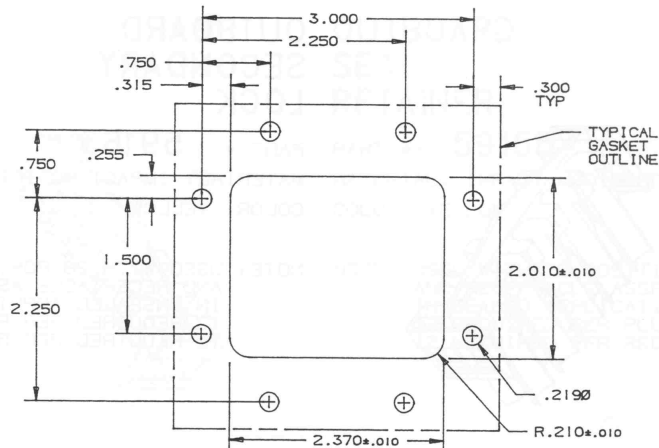


FOR USE WITH TERMINAL CODE 260

TYPICAL BULKHEAD INSTALLATION



RECOMMENDED MOUNTING DIMENSIONS (.125" MAX BULKHEAD THICKNESS):



ALL DIMENSIONS ARE IN INCHES; TOLERANCES ARE +/- .005 UNLESS OTHERWISE INDICATED.
THE NUMBER AND SELECTION OF MOUNTING HOLES IS TO BE DETERMINED BY THE DESIGNER.

MODULAR BULKHEAD CONNECTOR SYSTEM 28 POSITION CONNECTORS

The plug for the DILL 28 Position Modular Bulkhead Connector consists of the connector body, a jack screw, and a polarized color coded key insert (SEE CHART).

The receptacle consists of the connector body (SEE CHART), a 1/4"x20 threaded insert, and a polarized color coded key insert (SEE CHART).

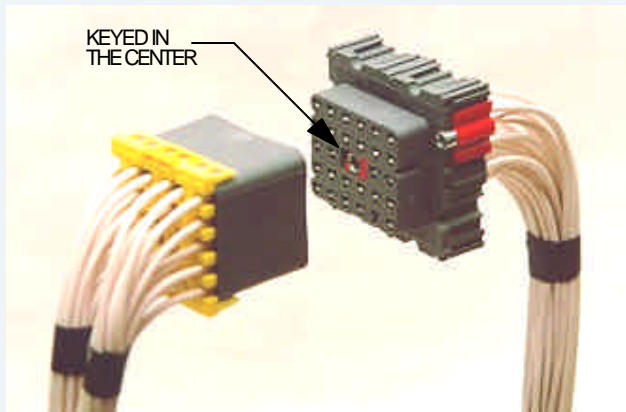
The outer perimeter of the receptacle features the "DILL EDGE™". This feature allows receptacles to be joined together or to other DILL BLOX modules as part of the power distribution panel. The female receptacle accepts the standard Locking Wedge (#59011), and the mounting Bolt Wedge (#59160).

IMPORTANT: The maximum bulkhead thickness that receptacles can be mounted through is 1/8" (0.125").

The Dill 28 Position Modular Bulkhead Connector accepts standard blade type terminals for sealed and unsealed applications. Each connector has 24 positions that contain 0.187" series terminals for heavy duty applications. The remaining four positions contain 0.250" series terminals for heavy duty, high amperage applications.

Both the plug and receptacle assemblies provide either secondary locking or seal retaining security. In applications where moisture is not a concern, the connectors can be assembled without any seals. Secondary locking bars provide additional security against terminal pushback. In applications where protection is necessary, the connectors can be assembled with cable seals and an interfacial seal. Seal retainer bars are used instead of secondary locking bars, for this application, to provide additional security to the cable seal.

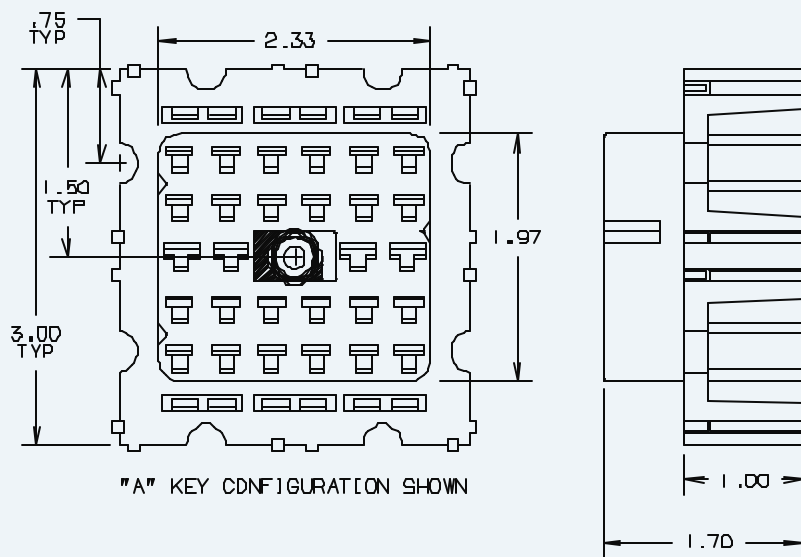
28 POSITION MODULAR BULKHEAD CONNECTORS



FEMALE CONNECTOR KEYS		MALE CONNECTOR KEYS	
	INDEX KEY TYPE A COLOR: GREEN CONNECTOR NUMBER: 100571		INDEX KEY TYPE A COLOR: GREEN CONNECTOR NUMBER: 100573
	INDEX KEY TYPE B COLOR: RED CONNECTOR NUMBER: 100572		INDEX KEY TYPE B COLOR: RED CONNECTOR NUMBER: 100574
	INDEX KEY TYPE C COLOR: BLUE CONNECTOR NUMBER: 100608		INDEX KEY TYPE C COLOR: BLUE CONNECTOR NUMBER: 100610
	INDEX KEY TYPE D COLOR: ORANGE CONNECTOR NUMBER: 100609		INDEX KEY TYPE D COLOR: ORANGE CONNECTOR NUMBER: 100611

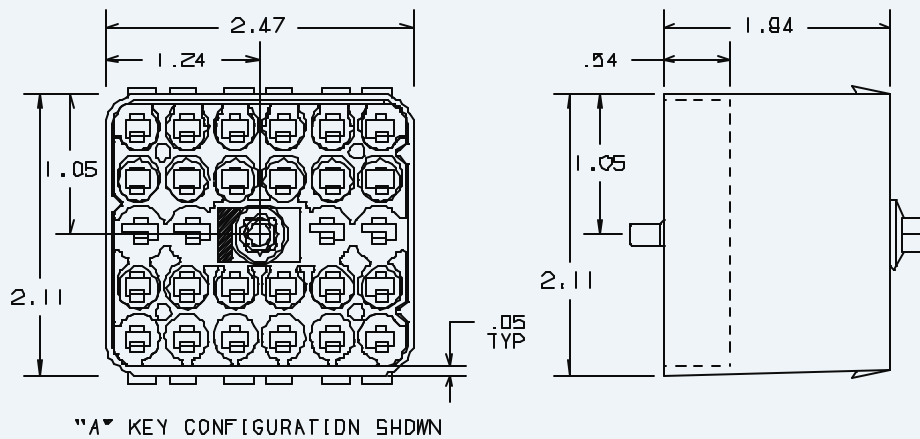
FEMALE BULKHEAD RECEPTACLE

PART # 059183 AND # 073370 ARE THE OVERLAY AND GASKET



MALE BULKHEAD PLUG

PART # 59169: PLUG INTERFACIAL SEAL AVAILABLE FOR SEALED APPLICATIONS



28 POSITION MODULAR BULKHEAD CONNECTORS

BULKHEAD SYSTEM APPLICATION SHEET

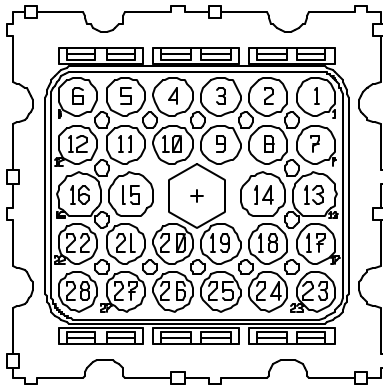
PART NUMBER COLOR CODES

FEMALE RECEPTACLES	MALE PLUGS	COLOR CODE KEY
100571	100573	GREEN - A
100572	100574	RED - B
100608	100610	BLUE - C
100609	100611	ORANGE - D

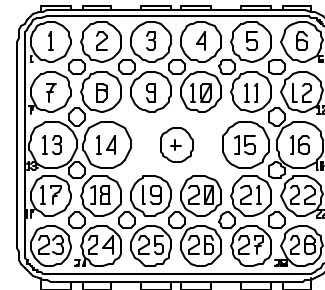
BULKHEAD TERMINAL CODES

CAVITY #	MALE PLUG	FEMALE RECEPTACLE	SEALED MALE PLUG	SEALED FEMALE RECEPTACLE
1 — 12	060	059	178	177
13 — 16	063	062	180	179
17 — 28	060	059	178	177

FEMALE BULKHEAD RECEPTACLE
CAVITY NUMBERS
(Rear Load View)



MALE BULKHEAD PLUG
CAVITY NUMBERS
(Rear Load View)



CAVITY SEALS FOR BULKHEAD TERMINALS

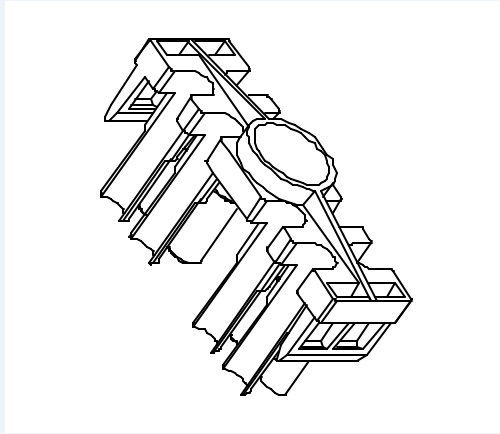
TERMINAL CODE	WIRE INSULATION DIAMETER IN INCHES	SEAL OEM PART #
177 & 178	0.080 THRU 0.110	12048433
177 & 178	0.110 THRU 0.139	12052452
177 & 178	0.140 THRU 0.169	12054453
177 & 178	0.170 THRU 0.200	12065703
177 & 178	CAVITY PLUG #	12066082
179 & 180	0.080 THRU 0.109	12059259
179 & 180	0.110 THRU 0.139	12059258
179 & 180	0.140 THRU 0.169	12059260
179 & 180	0.170 THRU 0.200	12059257
179 & 180	CAVITY PLUG #	12059255

SECONDARY LOCKS / SEAL RETAINERS

PLUG / RECEP. TYPE	INBOARD LOCK / SEAL RETAINER	OUTBOARD LOCK / SEAL RETAINER
UNSEALED	59164	59163
SEALED	59166	59165

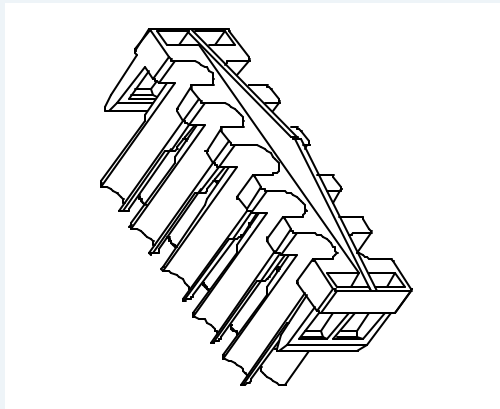
28 POSITION MODULAR BULKHEAD CONNECTORS

INBOARD SECONDARY LOCK #59164



USED WITH 28 POSITION PLUG & RECEPTACLE ASSEMBLIES
(IN UNSEALED APPLICATIONS, 1 REQUIRED FOR EACH PLUG OR RECEPTACLE)

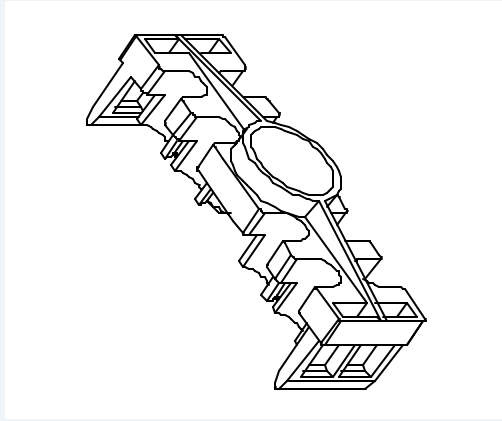
OUTBOARD SECONDARY LOCK #59163



USED WITH 28 POSITION PLUG & RECEPTACLE ASSEMBLIES
(IN UNSEALED APPLICATIONS, 2 REQUIRED FOR EACH PLUG OR RECEPTACLE)

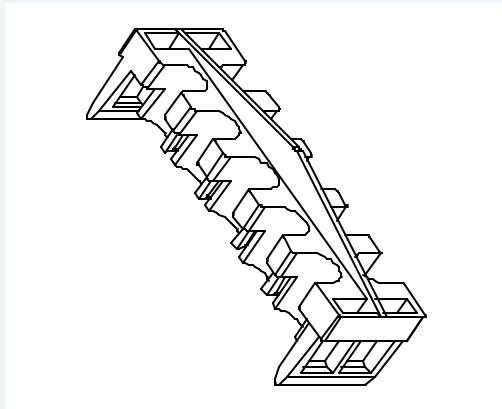
28 POSITION MODULAR BULKHEAD CONNECTORS

INBOARD SEAL RETAINER #59166



USED WITH 28 POSITION PLUG & RECEPTACLE ASSEMBLIES
(IN SEALED APPLICATIONS, 1 REQUIRED FOR EACH PLUG OR RECEPTACLE)

OUTBOARD SEAL RETAINER #59165



USED WITH 28 POSITION PLUG & RECEPTACLE ASSEMBLIES
(IN SEALED APPLICATIONS, 2 REQUIRED FOR EACH PLUG OR RECEPTACLE)

TERMINAL CODES

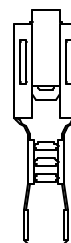
TERMINAL CODE 057



280 METRI-PACK FEMALE / UNSEALED APPLICATIONS

WIRE GAUGE	INSULATION RANGE	OEM PART NUMBER
18 — 20	0.080 — 0.123	12034046
14 — 16	0.098 — 0.156	12066214
10 — 12	0.137 — 0.206	12015858

TERMINAL CODE 059



480 METRI-PACK FEMALE / UNSEALED APPLICATIONS

WIRE GAUGE	INSULATION RANGE	OEM PART NUMBER
18 — 20	0.080 — 0.123	12015860
14 — 16	0.098 — 0.156	12124304
10 — 12	00.137 — 0.206	12084595

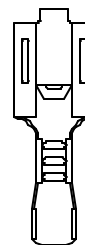
TERMINAL CODE 060



480 METRI-PACK MALE / UNSEALED APPLICATIONS

WIRE GAUGE	INSULATION RANGE	OEM PART NUMBER
18 — 20	0.080 — 0.123	12020119
14 — 16	0.098 — 0.156	12020120
10 — 12	0.137 — 0.206	12033820

TERMINAL CODE 062



630 METRI-PACK FEMALE / UNSEALED APPLICATIONS

WIRE GAUGE	INSULATION RANGE	OEM PART NUMBER
18 — 20	0.080 — 0.123	12015869
14 — 16	0.098 — 0.156	12015870
10 — 12	0.137 — 0.206	12084590
(2) 18 — 20	0.080 — 0.123	12015870
(2) 12	0.137 — 0.206	12084596

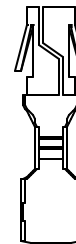
TERMINAL CODE 063



630 METRI-PACK MALE / UNSEALED APPLICATIONS

WIRE GAUGE	INSULATION RANGE	OEM PART NUMBER
18 — 20	0.080 — 0.123	12020125
14 — 16	0.098 — 0.156	12020126
10 — 12	0.137 — 0.206	12066493

TERMINAL CODE 110



0.140 UNIVERSAL SOCKET

WIRE GAUGE	INSULATION RANGE	OEM PART NUMBER
14 — 20	0.100 — 0.180	61626-1
10 — 14	0.100 — 0.180	350200-2

TERMINAL CODES

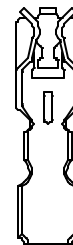
TERMINAL CODE 111



0.140 UNIVERSAL PIN

WIRE GAUGE	INSULATION RANGE	OEM PART NUMBER
14 — 20	0.100 — 0.180	61627-1
10 — 14	0.100 — 0.180	350201-1

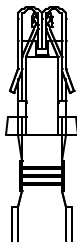
TERMINAL CODE 157



WEDGE BASE LAMP TERMINAL

WIRE GAUGE	INSULATION RANGE	OEM PART NUMBER
18 — 20	MAX / 0.123	12089661
14 — 16	MAX / 0.094	12089134

TERMINAL CODE 162



SPECIAL: FUSE TERMINAL WITH SPRING CLIP

WIRE GAUGE	INSULATION RANGE	FPA PART NUMBER
18 — 20	0.081 — 0.123	TF-18PC1UC
14 — 16	0.100 — 0.156	TF-14PC1UC
10 — 12	0.140 — 0.201	TF-10PC1UC
(2) 18 — 20	0.160 — 0.246	TF-17PC1UC
(2) 14 — 16	0.196 — 0.312	TF-13PC1UC

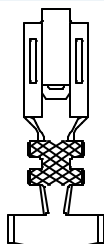
TERMINAL CODE 175



280 FEMALE METRI-PACK / SEALED APPLICATIONS

WIRE GAUGE	INSULATION RANGE	OEM PART NUMBER
18 — 20	0.080 — 0.123	12077411
14 — 16	0.098 — 0.156	12129493
12	0.137 — 0.144	12077413

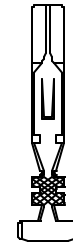
TERMINAL CODE 177



480 METRI-PACK FEMALE / SEALED APPLICATIONS

WIRE GAUGE	INSULATION RANGE	OEM PART NUMBER
18 — 20	0.083 — 0.106	12048450
14 — 16	0.101 — 0.141	12048451
10 — 12	0.137 — 0.206	12052139

TERMINAL CODE 178

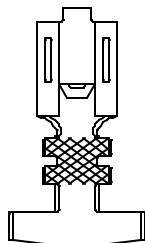


0.187 MALE / SEALED APPLICATIONS

WIRE GAUGE	INSULATION RANGE	OEM PART NUMBER
14 — 18	0.101 — 0.141	12065196
12	0.141 — 0.193	12065197
10	0.137 — 0.206	12052172

TERMINAL CODES

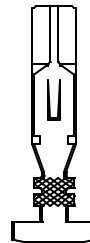
TERMINAL CODE 179



630 METRI-PACK FEMALE / SEALED APPLICATIONS

WIRE GAUGE	INSULATION RANGE	OEM PART NUMBER
18 — 20	0.083 — 0.106	12052457
14 — 16	0.101 — 0.141	12052455
10 — 14	0.137 — 0.206	12052456

TERMINAL CODE 180



630 METRI-PACK MALE / SEALED APPLICATIONS

WIRE GAUGE	INSULATION RANGE	OEM PART NUMBER
18 — 20	0.083 — 0.106	12064734
14 — 16	0.101 — 0.141	12064735
12	0.156 — 0.193	12064737
10	0.173 — 0.206	12064736

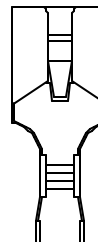
TERMINAL CODE 220



FEMALE JUNIOR POWER TIMER TERMINAL

WIRE GAUGE	INSULATION RANGE	OEM PART NUMBER
16 — 20	0.079 — 0.120	927775-3
14 or (2) 18	0.105 --- 0.145	927773-3
12 or (2) 16	0.137	144432-1

TERMINAL CODE 254



0.375 FEMALE

WIRE GAUGE	INSULATION RANGE	OEM PART NUMBER
14-16	0.094 — 0.146	962835-3
10-12	0.149 — 0.201	280756-4
8-10	0.200 — 0.275	280755-4

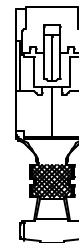
TERMINAL CODE 260



480 METRI-PACK SPECIAL FEMALE

WIRE GAUGE	INSULATION RANGE	OEM PART NUMBER
16 — 18	0.094 — 0.105	12065894
12 — 14	0.100 — 0.143	12065892
(2) 16 — 18	0.103 — 0.124	12103948

TERMINAL CODE 274

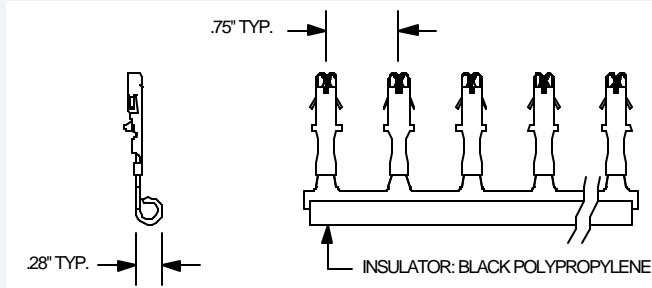


MAXI-FUSE TERMINAL

WIRE GAUGE	INSULATION RANGE	OEM PART NUMBER
16 — 18	0.104 MAX	12065915
12 — 14	0.144 MAX	12065916
10	0.176 MAX	12110127
(2) 12	0.388 MAX	12092444
8 or (2) 10	0.352 MAX	12092445

TERMINAL CODES

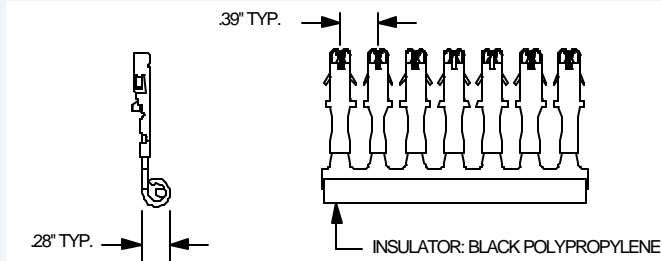
BUS BAR TERMINAL CODE 197



CRIMP AREA ACCEPTS 8-10 AWG WIRE

# OF POSITIONS	BUS BAR PART #	BUS BAR INSULATOR #
2	092648	075565
3	092578	075575
4	092579	075575
5	092634	075586
6	092580	075588
7	092628	075571
8	092577	075585
9	092570	075589
10	092617	075572
11	092575	075587
12	092616	075594

BUS BAR TERMINAL CODE 284



CRIMP AREA ACCEPTS 8-10 AWG WIRE

# OF POSITIONS	BUS BAR PART #	BUS BAR INSULATOR #
3	092769	075642
4	092768	075565
5	092764	075570
6	092767	075640
7	092763	075575

BUS BAR ASSEMBLIES WITH WIRE

TO ORDER BUS BARS WITH CABLES ATTACHED, FOLLOW THE PART NUMBERING SYSTEM ILLUSTRATED BELOW:

92634 - 8.0 - 10

CABLE LENGTH IN FEET
 CABLE SIZE IN mm²
 BUS BAR #

THE LENGTH OF THE CABLE IS MEASURED FROM THE ENTRY OF THE BUS BAR TO THE CABLE END.

BUS BAR INSULATORS ARE INCLUDED WITH ALL ASSEMBLIES.

INDEX

<u>PART#</u>	<u>PAGE#</u>	<u>PART#</u>	<u>PAGE#</u>
59011.....	18	75640.....	29
59021.....	17	75642.....	29
59022.....	11	92570.....	29
59025.....	13	92575.....	29
59026.....	13	92577.....	29
59027.....	12	92578.....	29
59056.....	18	92579.....	29
59057.....	14	92580.....	29
59058.....	13	92616.....	29
59099.....	18	92617.....	29
59105.....	8	92628.....	29
59112.....	8	92634.....	29
59113.....	17	92648.....	29
59114.....	17	92763.....	29
59115.....	19	92764.....	29
59158.....	19	92767.....	29
59160.....	18, 20	92768.....	29
59163.....	23, 24	92769.....	29
59164.....	23, 24	100571.....	22-23
59165.....	23, 25	100572.....	22-23
59166.....	23, 25	100573.....	22-23
59169.....	22	100574.....	22-23
59174.....	19	100608.....	22-23
59175.....	19	100609.....	22-23
59176.....	19	100610.....	22-23
59183.....	20	100611.....	22-23
59184.....	11	100652.....	14
59186.....	14	100685.....	16
59187.....	14	100686.....	16
59188.....	11	100687.....	16
59189.....	11	100690.....	16
59196.....	16	100691.....	16
59203.....	14	100692.....	16
59205.....	17	100693.....	16
59206.....	15	100694.....	16
59214.....	17	100695.....	16
59215.....	13	100708.....	15
59216.....	8	100712.....	15
59217.....	10	100716.....	15
59220.....	13	100718.....	15
59222.....	9	100719.....	15
59223.....	9	100721.....	15
59224.....	9	100761.....	9
59225.....	12	TF-10PC1UC.....	27
59226.....	12	TF-13PC1UC.....	27
59231.....	9	TF-14PC1UC.....	27
59236.....	10	TF-17PC1UC.....	27
73370.....	20	TF-18PC1UC.....	27
74042.....	17		
74049.....	17		
74073.....	17		
74096.....	17		
75565.....	29		
75570.....	29		
75571.....	29		
75572.....	29		
75575.....	29		
75585.....	29		
75586.....	29		
75587.....	29		
75588.....	29		
75589.....	29		
75594.....	29		

NOTES

